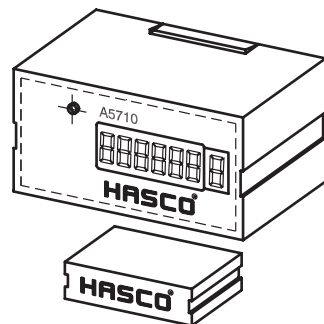
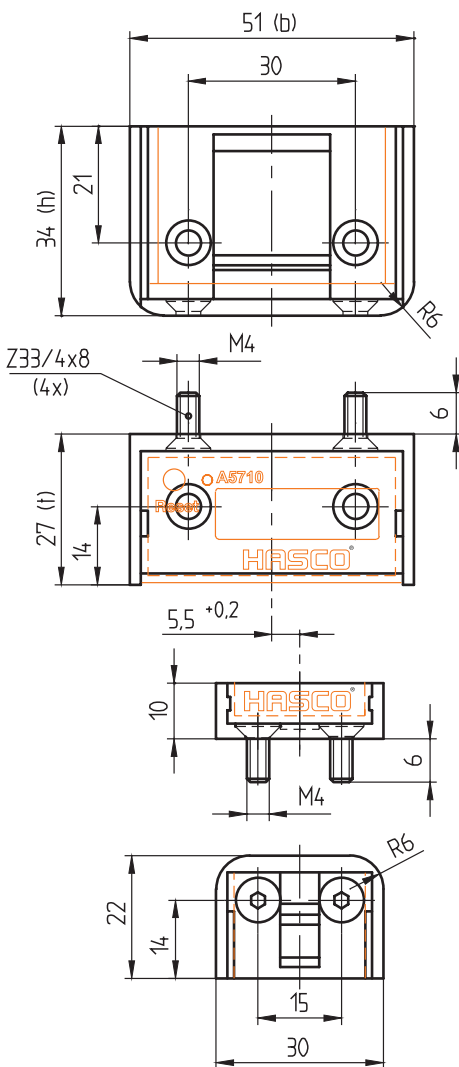


A5710/...



► Info



b	h	t	Nr./No.
51	34	27	A5710/51x34x27

This is trial version  
www.adultpdf.com